

CLASSICA

ART. 3012 – 3012C

Mobile in nobilitato idrofugo W100, spessore 18 mm
Sportelli con angoli arrotondati
Maniglie e piedini cromati
Biasca in termoformatura
Bordi con colle poliuretaniche
Asse di lavaggio in pino verniciato
Cerniere delle ante con CHIUSURA RALLENTATA
Sifone autopulente completo di piletta e troppopieno
Piedini regolabili in altezza 15 mm
Vasca forabile per installazione rubinetto (rubinetto non incluso)
Scarico sifone a 35÷45 cm da terra

Articoli / Articles

- | | | |
|-------|---|--------------------------------------|
| 3012 | - | Lavatoio
senza cestello |
| | | Washtub without
hamper |
| 3012C | - | Lavatoio con
cestello in appoggio |
| | | Washtub with
hamper |



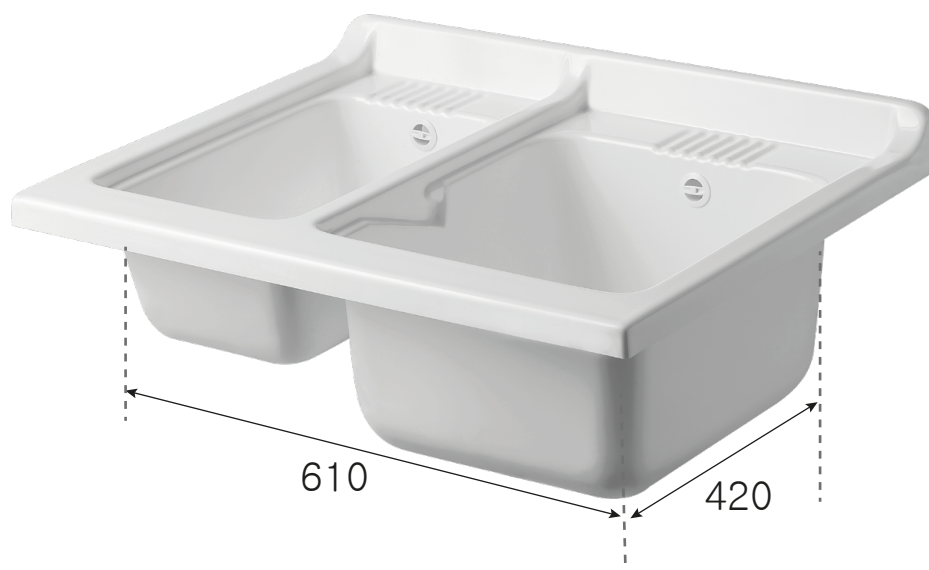
White washtub made of waterproof material W100, thickness 18 mm
Doors with round shapes angles
Chromed door-handles and chromed feet
Thermoforming double basin
Borders with polyurethane glues
Washing board made of painted pine wood
Doors' hinges with SOFT CLOSING
Trap: self-cleaning, equipped with mounted drain and overflow
Height of the feet adjustable 15 mm
Basin perforable to install the faucet (faucet not included)
Siphon outlet 35÷45 cm from the floor



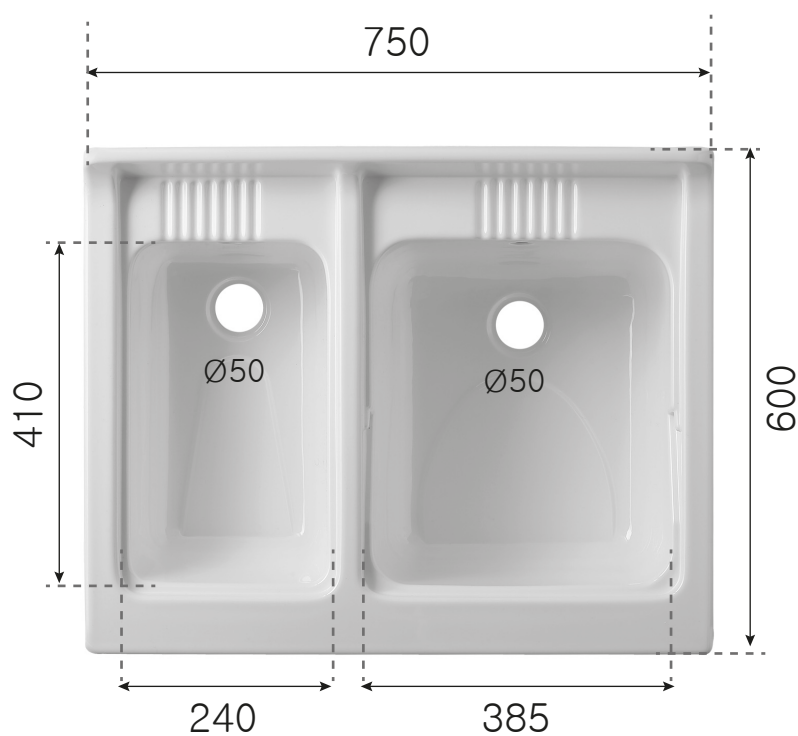
ART. 2024

 NEGRARI

Bi-vasca in termoformatura 600 x 750 mm – Thermoforming double basin 600 x 750 cm



Dimensioni interne (cm) – Internal dimensions (cm)



Profondità vasca grande
Depth of big basin:
25 cm

Profondità vasca piccola
Depth of small basin:
18 cm



ART. 2040

Asse in pino compatibile con bi-vasca
Washing board made of varnished pine-wood