

# CREMA E CACAO

ART. 2012EW – 2012EF

Mobile in nobilitato idrofugo W100, spessore 18 mm  
Sportelli con angoli squadrati  
Pomoli satinati  
Bordi con colle poliuretaniche  
Bivasca in termoformatura  
Cerniere delle ante con CHIUSURA RALLENTATA  
Asse di lavaggio in polipropilene resistente agli acidi  
Sifone autopulente completo di piletta e troppopieno  
Piedini regolabili in altezza 15 mm  
Vasca forabile per installazione rubinetto (rubinetto non incluso)  
Scarico sifone a 35÷45 cm da terra

Articoli / Articles



2012EW – Lavatoio wengè  
Wengè washtub



2012EF – Lavatoio frassino  
Ash washtub

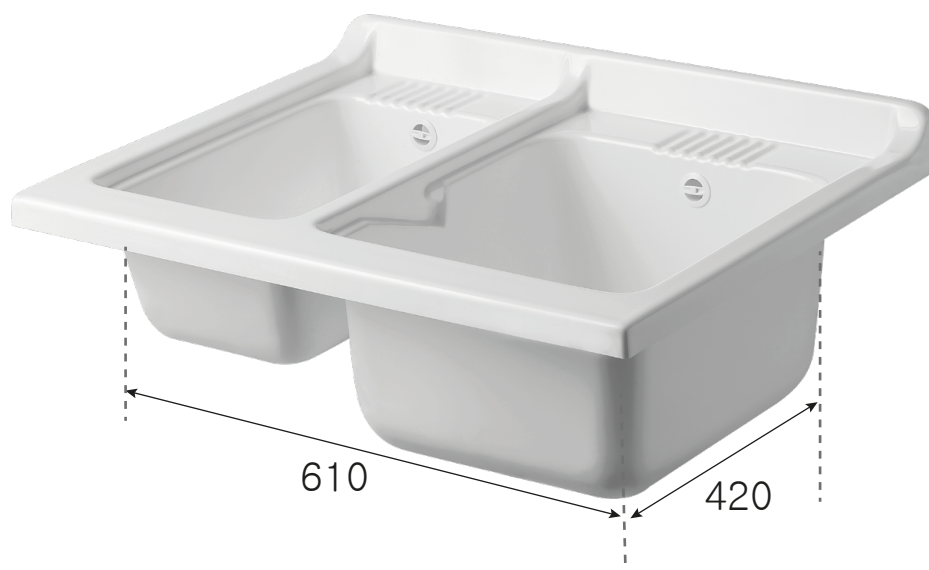
White washtub made of waterproof material W100, thickness 18 mm  
Doors with square angles  
Glazed door-handles and glazed feet  
Thermoforming double-basin  
Doors' hinges with SOFT CLOSING  
Washing board made of acid resistant polypropylene  
Trap: self-cleaning, equipped with mounted drain and overflow  
Height of the feet adjustable 15 mm  
Basin perforable to install the faucet (faucet not included)  
Siphon outlet 35÷45 cm from the floor



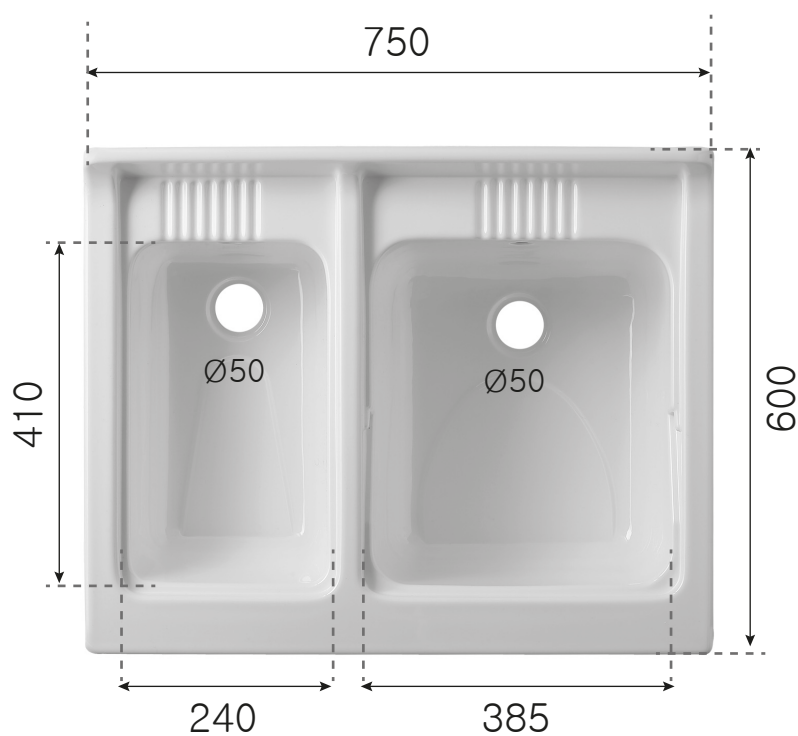
ART. 2024

 NEGRARI

Bi-vasca in termoformatura 600 x 750 mm – Thermoforming double basin 600 x 750 cm



Dimensioni interne (cm) – Internal dimensions (cm)



Profondità vasca grande  
Depth of big basin:  
25 cm

Profondità vasca piccola  
Depth of small basin:  
18 cm



ART. 2040

Asse in pino compatibile con bi-vasca  
Washing board made of varnished pine-wood