

CREMA E CACAO

ART. 2006EW – 2006EF

Mobile in nobilitato idrofugo W100, spessore 18 mm
Sportelli con angoli squadrati
Pomoli satinati
Bordi con colle poliuretaniche
Vasca in polipropilene resistente agli acidi
Cerniere delle ante con CHIUSURA RALLENTATA
Asse di lavaggio in polipropilene resistente agli acidi
Sifone autopulente completo di piletta e troppopieno
Piedini regolabili in altezza 15 mm
Vasca forabile per installazione rubinetto (rubinetto non incluso)
Scarico sifone a 35÷45 cm da terra

Articoli / Articles



2006EW – Lavatoio wengè
Wengè washtub



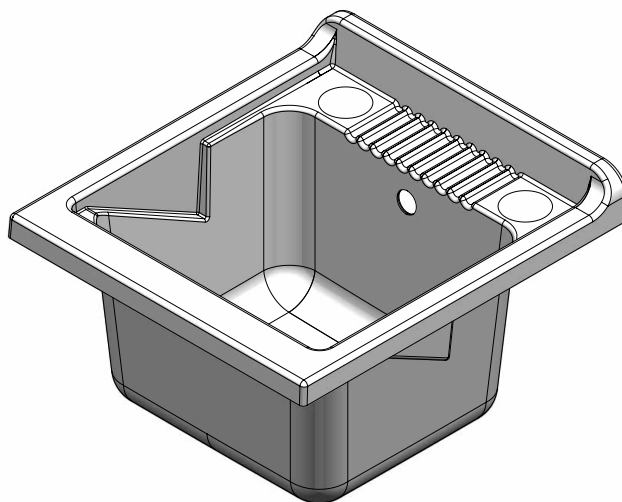
2006EF – Lavatoio frassino
Ash washtub

White washtub made of waterproof material W100, thickness 18 mm
Doors with square angles
Glazed door-handles and glazed feet
Basin made of acid resistant polypropylene
Doors' hinges with SOFT CLOSING
Washing board made of acid resistant polypropylene
Trap: self-cleaning, equipped with mounted drain and overflow
Height of the feet adjustable 15 mm
Basin perforable to install the faucet (faucet not included)
Siphon outlet 35÷45 cm from the floor



ART. 2030

Vasca in polipropilene 45x50
polypropylene basin 45x50



Dimensioni (mm)
Dimensions (mm)

