

MAGICA

ART. 2012 – 2012CS

Mobile in nobilitato idrofugo W100, spessore 18 mm
Sportelli con angoli arrotondati
Maniglie satinato
Bordi con colle poliuretaniche
Bivasca in termoformatura
Asse di lavaggio in pino verniciato
Cerniere delle ante con CHIUSURA RALLENTATA
VASSOIO SALVAFONDO IN ALLUMINIO
Sifone autopulente completo di piletta e troppopieno
Piedini regolabili in altezza 15 mm
Vasca forabile per installazione rubinetto (rubinetto non incluso)
Scarico sifone a 35÷45 cm da terra

Articoli / Articles

- | | |
|----------|---|
| 2012 – | Lavatoio
senza cestello

Washtub without
hamper |
| 2012CS – | Lavatoio con
cestello scorrevole

Washtub with
sliding hamper |



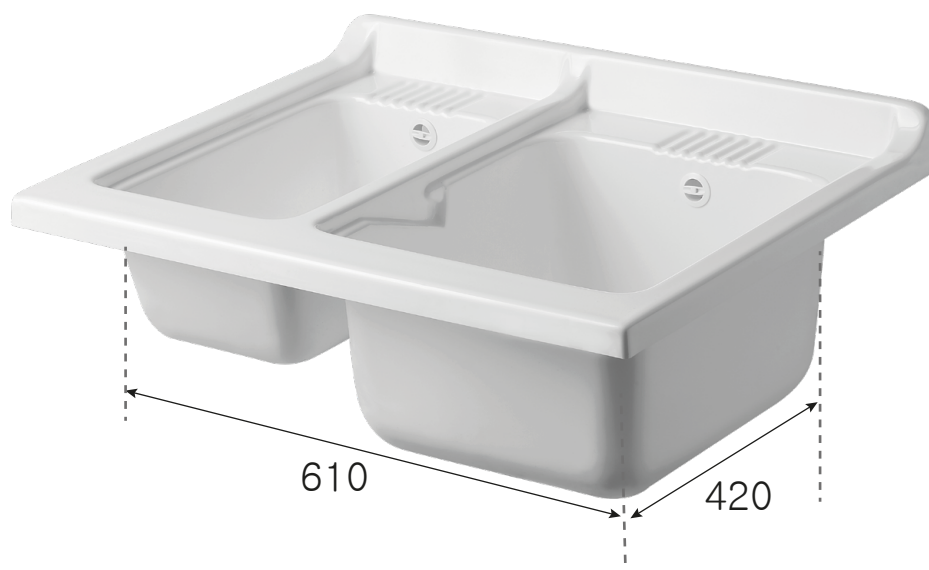
White washtub made of waterproof material W100, thickness 18 mm
Doors with round shapes angles
Glazed door-handles
Borders with polyurethane glues
Thermoforming double basin
Washing board made of painted pine wood
Doors' hinges with SOFT CLOSING
LOWER TRAY IN ALUMINUM
Trap: self-cleaning, equipped with mounted drain and overflow
Height of the feet adjustable 15 mm
Basin perforable to install the faucet (faucet not included)
Siphon outlet 35÷45 cm from the floor



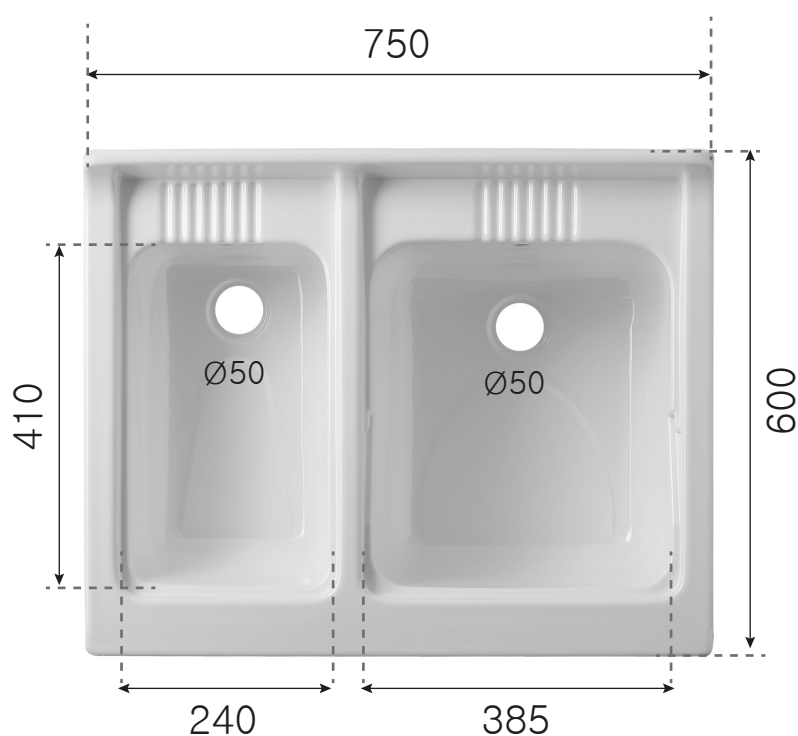
ART. 2024

 NEGRARI

Bi-vasca in termoformatura 600 x 750 mm – Thermoforming double basin 600 x 750 cm



Dimensioni interne (cm) – Internal dimensions (cm)



Profondità vasca grande
Depth of big basin:
25 cm

Profondità vasca piccola
Depth of small basin:
18 cm



ART. 2040

Asse in pino compatibile con bi-vasca
Washing board made of varnished pine-wood